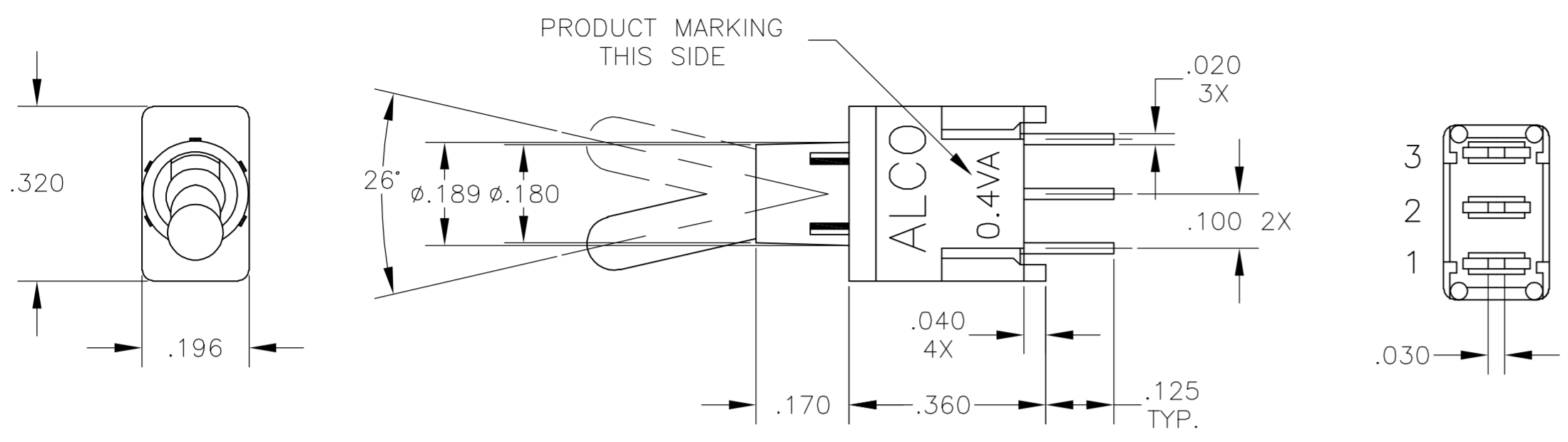


THIS DRAWING IS UNPUBLISHED. RELEASED FOR PUBLICATION  
 © COPYRIGHT BY TYCO ELECTRONICS CORPORATION. ALL RIGHTS RESERVED.

LOC		DIST		REVISIONS			
P	LTR	DESCRIPTION	DATE	DWN	APVD		
AD	00	A	REVISED PER ECO-05-012969	11-25-05	HMR	-	



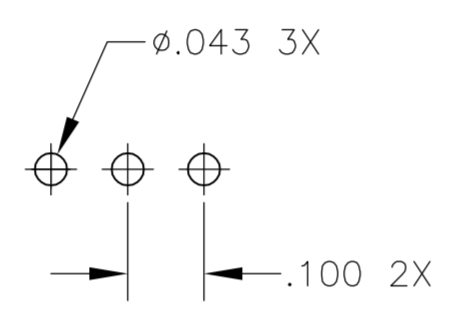
**SPECIFICATIONS:**

**MATERIALS:**  
 CASE & BUSHING : LCP  
 BRACKET : STEEL, TIN OVER COPPER PLATED  
 O-RING : NITRILE  
 LEVER : BRASS, NICKEL PLATED  
 SPRING : MUSIC WIRE  
 RETAINING PLATE : STEEL, NICKEL PLATED  
 PLUNGER : STAINLESS STEEL  
 INSULATOR : PTFE  
 MOVEABLE CONTACT : BRASS OR COPPER ALLOY, GOLD OVER NICKEL PLATED  
 TERMINALS : BRASS, TIN OVER NICKEL IN SOLDER AREA AND GOLD OVER Ni IN CONTACT AREA

**ELECTRICAL:**  
 CONTACT RATING : 0.4 VA @ 20 VDC OR PEAK AC  
 INITIAL CONTACT RESISTANCE: 20 MILLIOHMS MAX.  
 INSULATION RESISTANCE : 1,000 MEGOHMS AT 500 VDC MIN.  
 DIELECTRIC STRENGTH : 1,000 VOLTS RMS AT SEA LEVEL  
 LIFE EXPECTANCY : 2 POSITION: 80,000 CYCLES  
 3 POSITION: 60,000 CYCLES  
 MOMENTARY: 30,000 CYCLES

**ENVIRONMENTAL:**  
 OPERATING TEMPERATURE : -22°F TO +185°F (-30°C TO +85°C)  
 STORAGE TEMPERATURE : -67°F TO +185°F (-55°C TO +85°C)

PC MOUNT



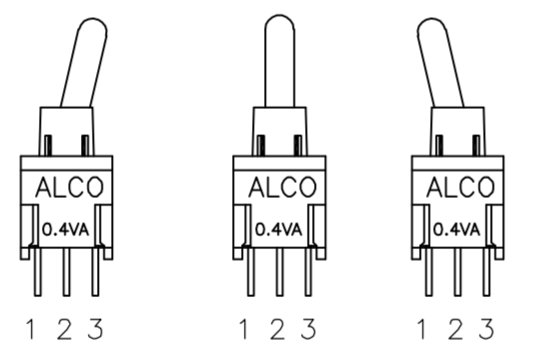
PC HOLE PATTERN  
 TOLERANCES FOR ALL PCB LAYOUT  
 DIMENSIONS TO BE  $\pm$ .002

**NOTES:**  
 1. ALL MATERIALS & FINISHES COMPLY WITH EU DIRECTIVE 2002/95/EC OF 27JAN2003 (ROHS)

PART NUMBERING SEQUENCE

MODEL	NO. OF POLES	CONTACT RATINGS	FUNCTION	CONTACT PLATINGS	TERMINATIONS	ACTUATOR	BUSHING (PLAIN)	TAPE & REEL PKGNG.	ROHS
TST	1	1	D ON NONE ON E ON OFF ON F ON NONE (ON) G (ON) OFF (ON) H ON OFF (ON)	G	PC PC PCV P.C. WITH BRACKET RA RIGHT ANGLE VRA VERTICAL RIGHT ANGLE	1 .206" 2 .250" 4 .400"	D	TR	04

FUNCTION CHART  
 THE FOLLOWING FUNCTIONS AVAILABLE IN SINGLE POLE



NONE INDICATES NO MECHANICAL POSITION.	D	2 POSITIONS	ON	NONE	ON
OFF INDICATES A MECHANICAL POSITION WITH NO ELECTRICAL CONNECTION.	E	3 POSITIONS	ON	OFF	ON
(ON) INDICATES MOMENTARY ACTION.	F	2 POSITIONS	ON	NONE	(ON)
	G	3 POSITIONS	(ON)	OFF	(ON)
	H	3 POSITIONS	ON	OFF	(ON)

TERMINALS CONNECTED: 1-2, -, 2-3

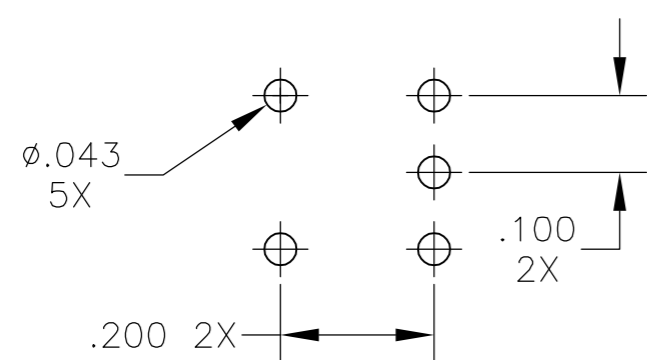
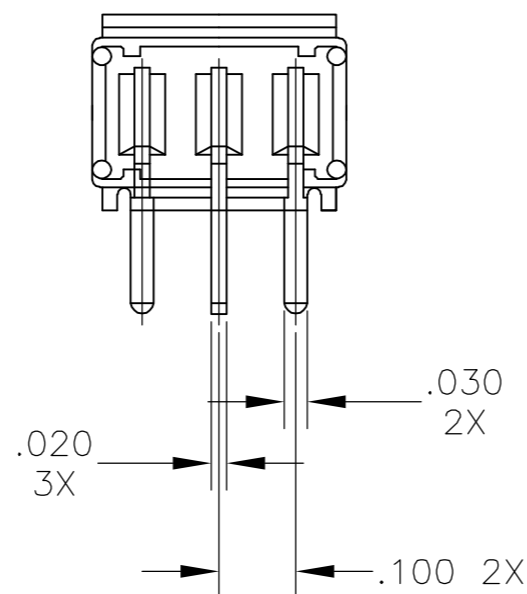
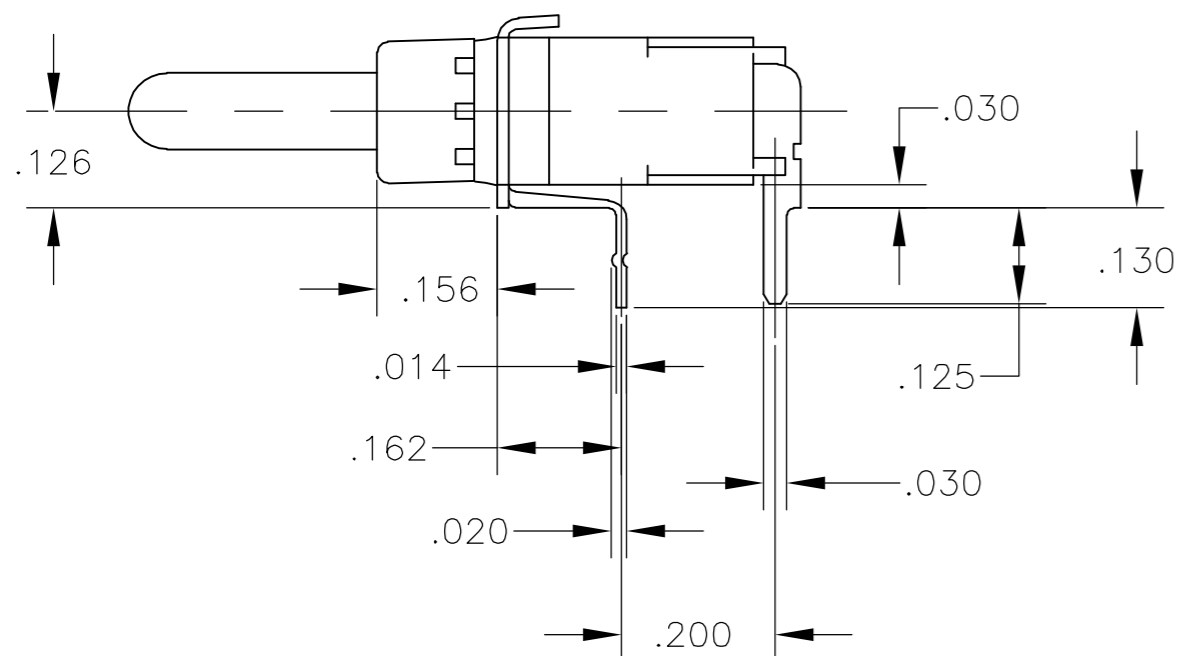
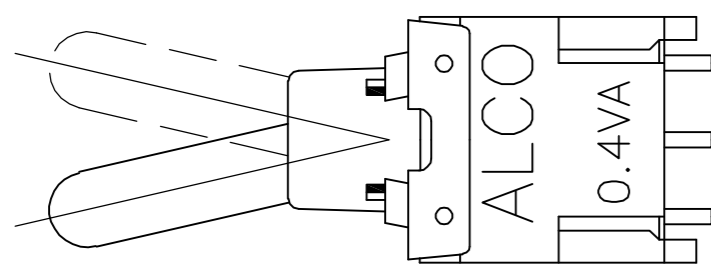
ROHS PARTS	
TYCO P/N	ALCO P/N
1825455-1	TST11DGPC1D04
1825455-2	TST11DGPCV1D04
1825455-3	TST11DGRA1D04
1825455-4	TST11DGVRA1D04
1825455-5	TST11EGPC4D04

THIS DRAWING IS A CONTROLLED DOCUMENT.		DWN	C.M.M.	7-11-90	Tyco Electronics Corporation Harrisburg, Pa 17105-3608		
DIMENSIONS: INCHES		CHK	B.J.A.	12-20-90			
TOLERANCES UNLESS OTHERWISE SPECIFIED:		APVD	B.J.A.	12-20-90			
0 PLC $\pm$ - 1 PLC $\pm$ - 2 PLC $\pm$ - 3 PLC $\pm$ .010 4 PLC $\pm$ - ANGLES $\pm$ 3'		NAME		SEALED TOGGLE SWITCH, SINGLE POLE, TST SERIES			
MATERIAL	FINISH	WEIGHT	SIZE		CAGE CODE	DRAWING NO	RESTRICTED TO
-	-	-	A2		00779	C=1825455	-
CUSTOMER DRAWING				SCALE	4:1	SHEET	1 OF 3
						REV	A

1825455

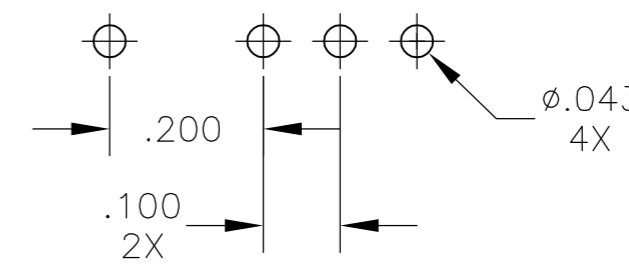
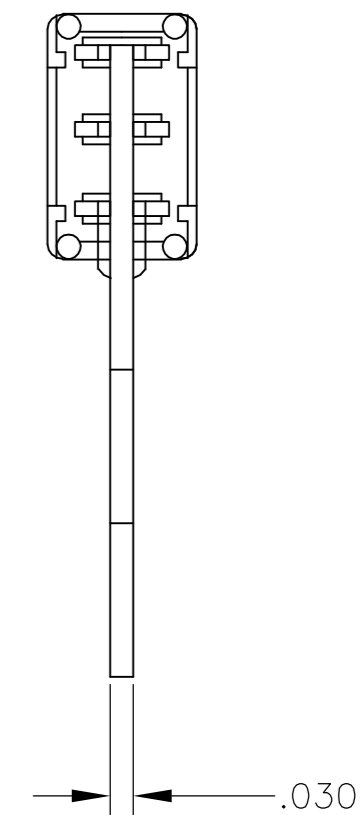
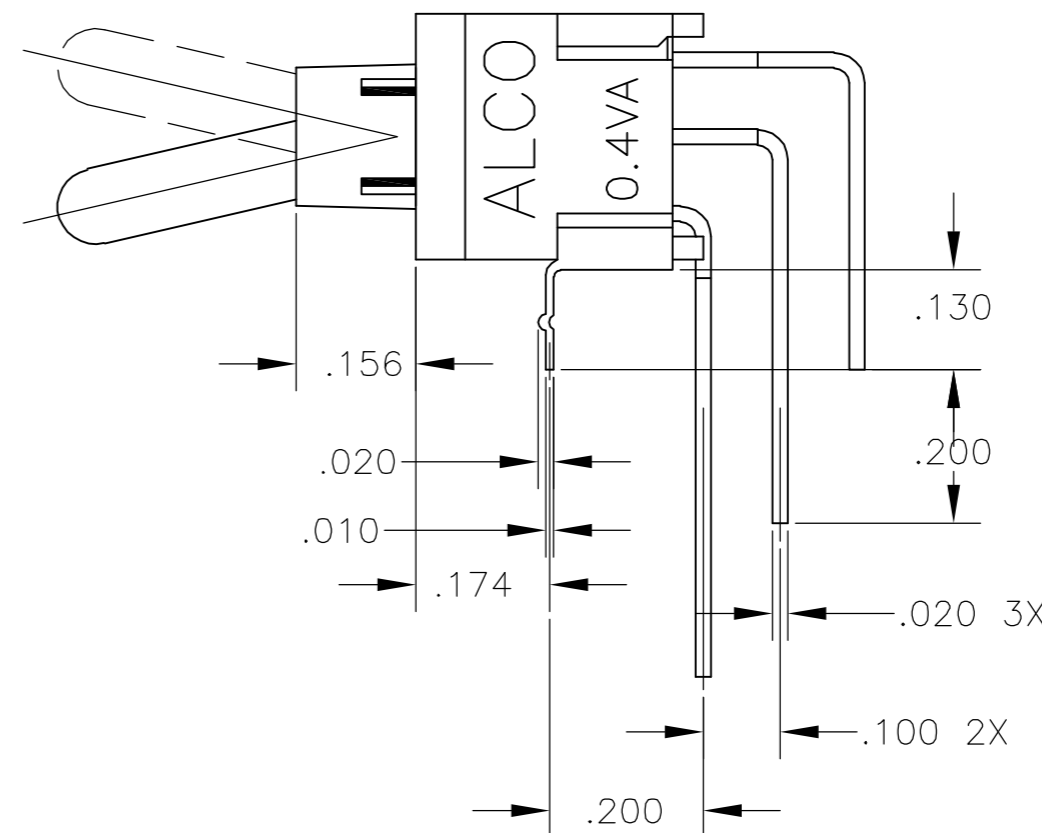
THIS DRAWING IS UNPUBLISHED. RELEASED FOR PUBLICATION  
 © COPYRIGHT BY TYCO ELECTRONICS CORPORATION. ALL RIGHTS RESERVED.

LOC	DIST	REVISIONS			
P	LTR	DESCRIPTION	DATE	DWN	APVD
AD	00	SEE SHEET 1	-	-	-



TOLERANCES FOR ALL PCB LAYOUT DIMENSIONS TO BE  $\pm.002$

RIGHT ANGLE



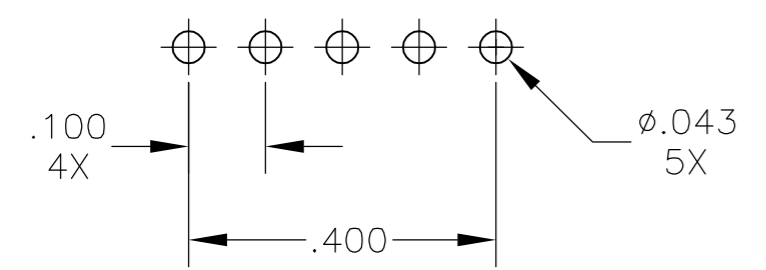
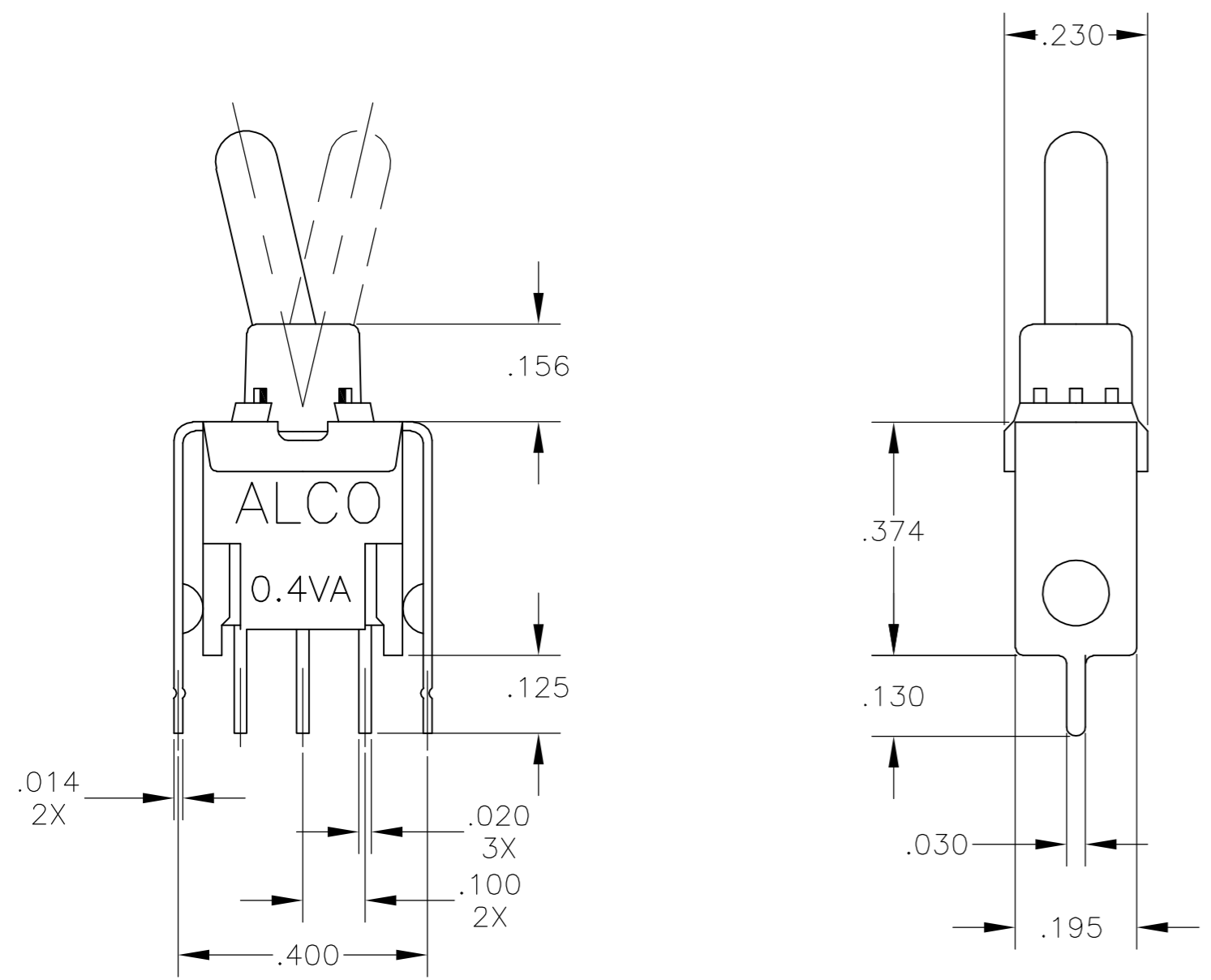
TOLERANCES FOR ALL PCB LAYOUT DIMENSIONS TO BE  $\pm.002$

VERTICAL RIGHT ANGLE

THIS DRAWING IS A CONTROLLED DOCUMENT.		DWN	7-11-90	 Tyco Electronics Corporation Harrisburg, Pa 17105-3608							
DIMENSIONS: INCHES		CHK	12-20-90								
TOLERANCES UNLESS OTHERWISE SPECIFIED:		APVD	12-20-90								
0 PLC $\pm$ - 1 PLC $\pm$ - 2 PLC $\pm$ - 3 PLC $\pm$ .010 4 PLC $\pm$ - ANGLES $\pm$ 3° FINISH -		NAME	SEALED TOGGLE SWITCH, SINGLE POLE, TST SERIES								
MATERIAL	-	PRODUCT SPEC	-	SIZE	A2	CAGE CODE	00779	DRAWING NO	C=1825455	RESTRICTED TO	-
CUSTOMER DRAWING		APPLICATION SPEC	-	SCALE	4:1	SHEET	2	OF	3	REV	A

THIS DRAWING IS UNPUBLISHED. RELEASED FOR PUBLICATION  
 © COPYRIGHT BY TYCO ELECTRONICS CORPORATION. ALL RIGHTS RESERVED.

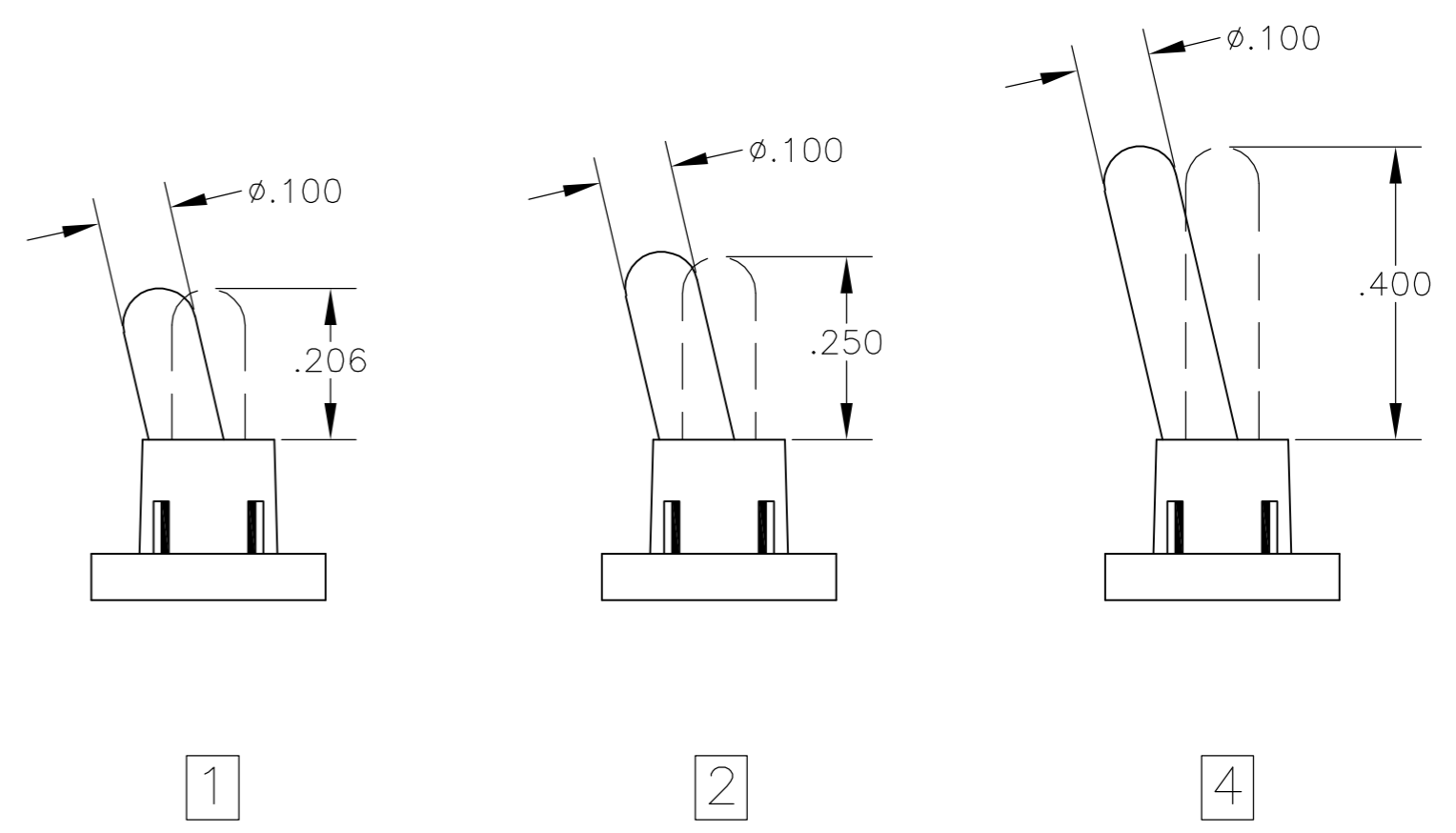
LOC		DIST		REVISIONS			
P	LTR	DESCRIPTION	DATE	DWN	APVD		
AD	00	SEE SHEET 1	-	-	-		



TOLERANCES FOR ALL PCB LAYOUT DIMENSIONS TO BE ±.002

PCV PC WITH VERTICAL SUPPORT BRACKET

ACTUATORS



THIS DRAWING IS A CONTROLLED DOCUMENT.		DWN	C.M.M.	7-11-90	 Tyco Electronics Corporation Harrisburg, Pa 17105-3608
DIMENSIONS: INCHES		CHK	B.J.A.	12-20-90	
TOLERANCES UNLESS OTHERWISE SPECIFIED:		APVD	B.J.A.	12-20-90	
0 PLC ± - 1 PLC ± - 2 PLC ± - 3 PLC ± .010 4 PLC ± - ANGLES ± 3° FINISH -		PRODUCT SPEC	NAME		
MATERIAL -		APPLICATION SPEC	SIZE		RESTRICTED TO
		WEIGHT -	CAGE CODE		
		CUSTOMER DRAWING	DRAWING NO		
		SCALE 4:1	SHEET 3 OF 3		REV A

1825455